

# FloEFD™ for Siemens NX™

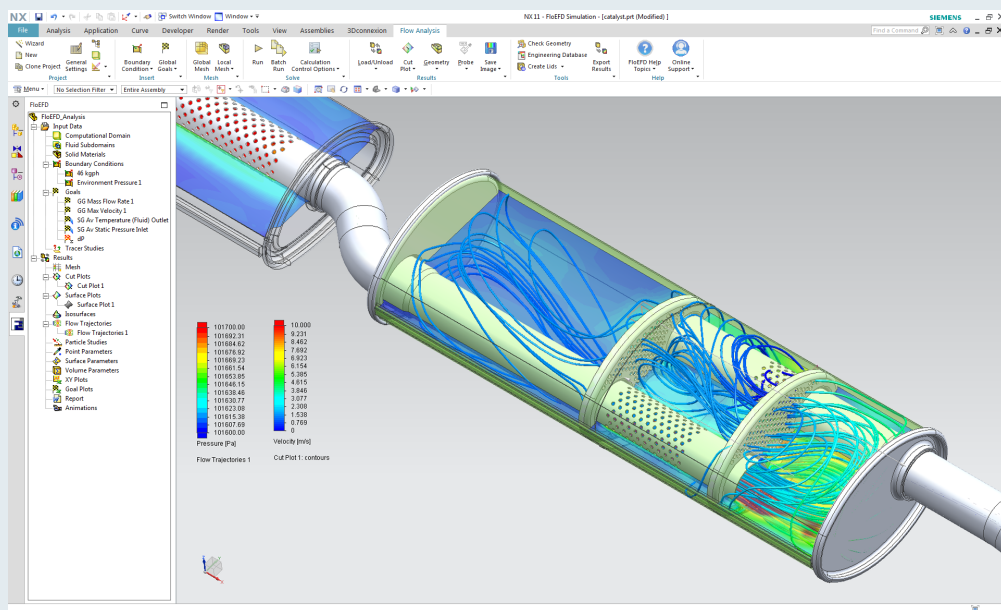
## CAD-Embedded Frontloading Computational Fluid Dynamics (CFD) Software

FloEFD for Siemens NX is an easy-to-use, fast and accurate CFD analysis tool that is fully embedded in Siemens NX. It enables engineers to frontload simulation by moving CFD simulation early into the design process; thus, enabling design engineers to examine and evaluate design options earlier to obtain optimized product performance and reliability.

FloEFD features intelligent automation at its core to make frontloading of CFD a reality:

- An intuitive user experience – short learning curve
- Use of native Siemens NX CAD data – no translation or fluid body creation
- Automatic recognition of model change – geometry and simulation data are synchronized
- Fast automated mesher – fast and easy SmartCell™ meshing
- Unique solver – getting accurate results fast for highly complex geometry
- Powerful parametric study and design comparison functionality for easier what-if analysis

FloEFD can be easily inserted into your current Siemens NX design flow without any disruption to your existing process and reduce your overall simulation time by as much as 75%.



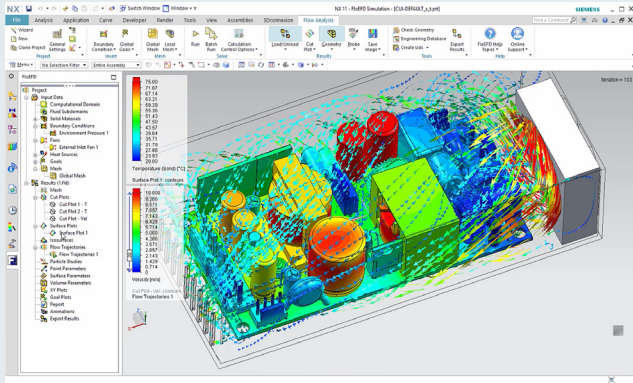
“CAD-embedded CFD makes it possible to determine simulation results nearly as fast as we can change the design. The result is that we were able to improve the flow rate of our new CO<sub>2</sub> valve by 15% while eliminating about 50 prototypes and reducing time to market by four months.”

Ventrex

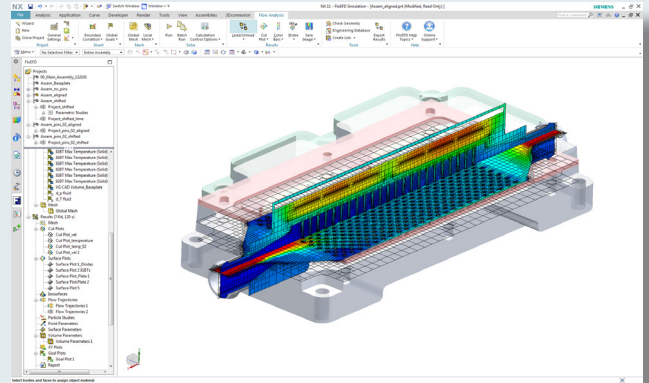
# FloEFD™ for Siemens NX™

## CAD-Embedded Frontloading Computational Fluid Dynamics (CFD) Software

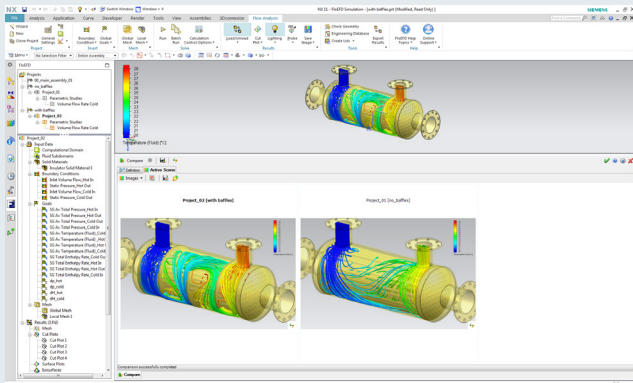
### Tight CAD-Integrated CFD Simulation



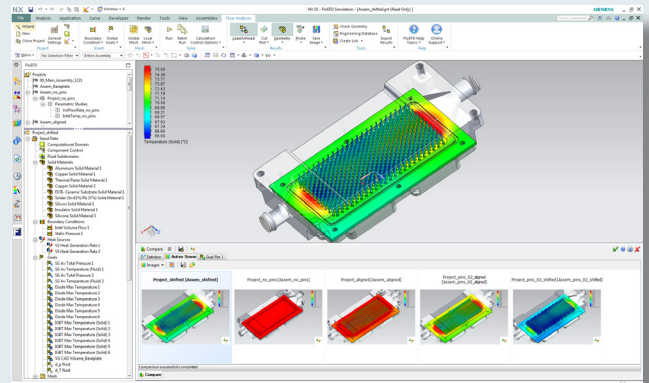
### Fast & Robust Automated Meshing Technology



### Intuitive User Experience



### Parametric Studies & Design Comparison



If you use Siemens NX take a closer look at FloEFD – the only fluid-flow and heat transfer simulation tool that fits into your design process without requiring you to change the way you design products.

Contact us to arrange for a free trial.